

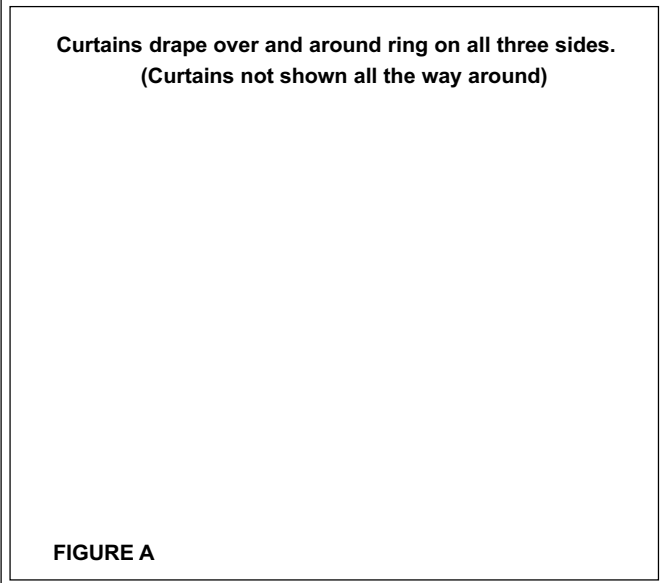
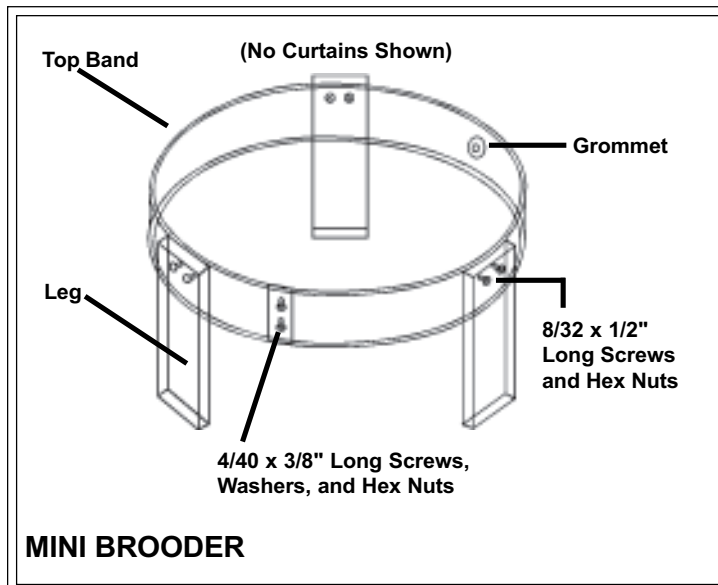
ASSEMBLY PROCEDURE FOR MINI-BROODER

INSPECTION

Unpack the unit and inspect it for any damage that may have occurred in transit. If damaged, file a claim with the carrier.

IMPORTANT

Study the assembly drawing before reading the instructions. Assembly will be easier if you do so.



BROODER ASSEMBLY

Peel off protective plastic covering. Legs should be flush with the top of the ring. Assemble the brooder ring (P/N 350-118) using two 4-40 screws, washers and 4-40 hex nuts as shown in the drawing. Insert the rubber grommet (P/N 300-049) into the hole provided. This hole is provided for an optional red spirit thermometer that is available from LYON (P/N 500-012). Attach the legs to the ring using the six 8-32 screws and hex nuts as shown in the drawing. Unfold the curtains and drape each 350-120 curtain section over the space between each leg on the ring. Place your Turn-X dome on top of the ring assembly to secure the curtain and complete the assembly. Make sure the Turn-X dome is snugly in place to prevent tipping.

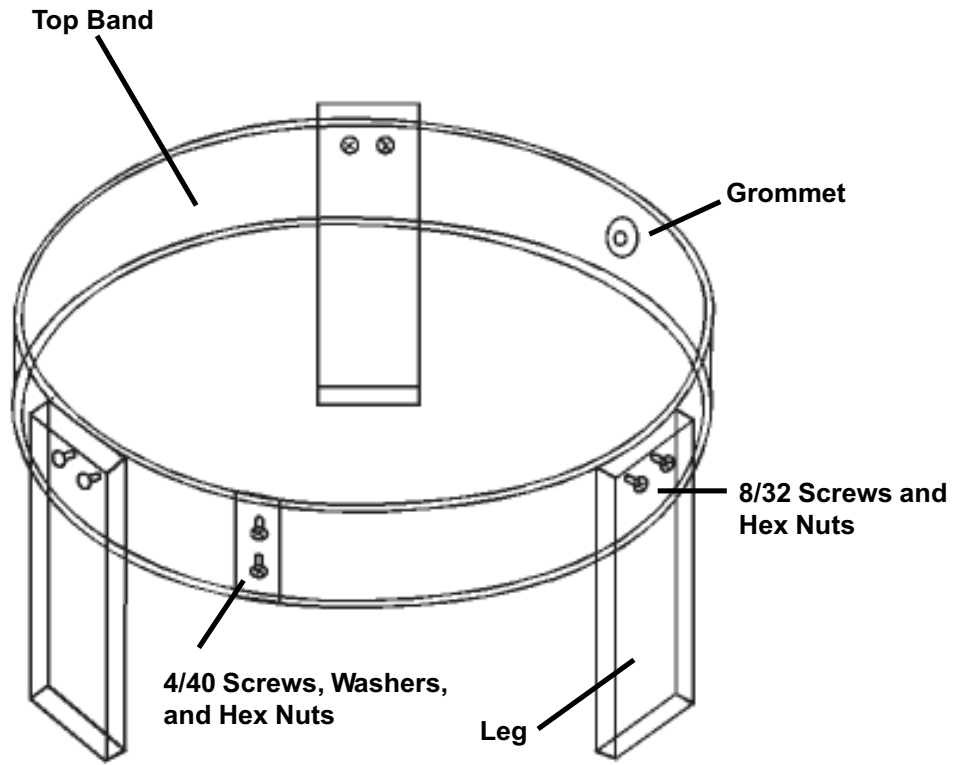
ADJUSTING TEMPERATURE

Follow the instructions supplied with your Turn-X for adjusting the temperature within the Mini-Brooder.

CURTAIN ASSEMBLY

Drape the curtains over the top of the ring as shown in Figure A. A total of (3) panels are provided to cover each segment.

Description	Part. No.	Qty.
Mini Brooder	940-040	1
Band	350-118	1
Legs	350-119	3
Curtain	350-120	3
8-32 Screws	SC008-32-008	6
8-32 Hex Screws	NC008-32-HST	6
4-40 Screws	SC004-40-006	2
4-40 Hex Nuts	NC004-40-HST	2
#4 Washer	WC004-FW-STD	2
Grommet	300-049	1



MINI BROODER